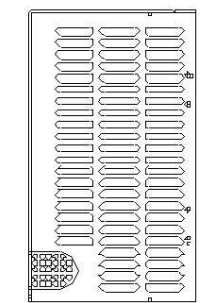
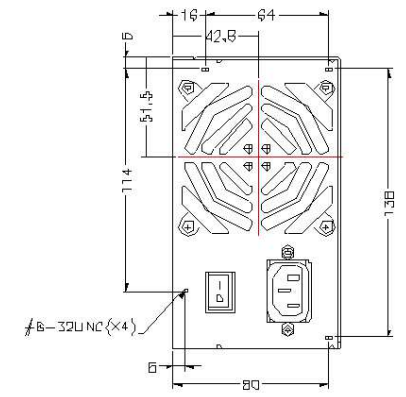
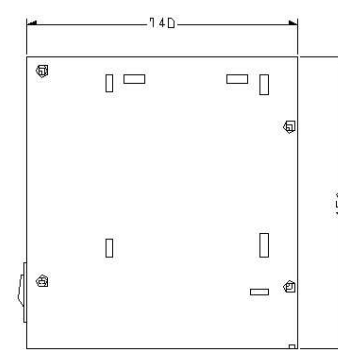
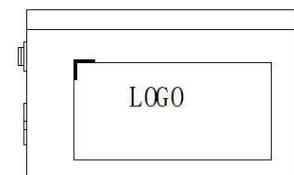
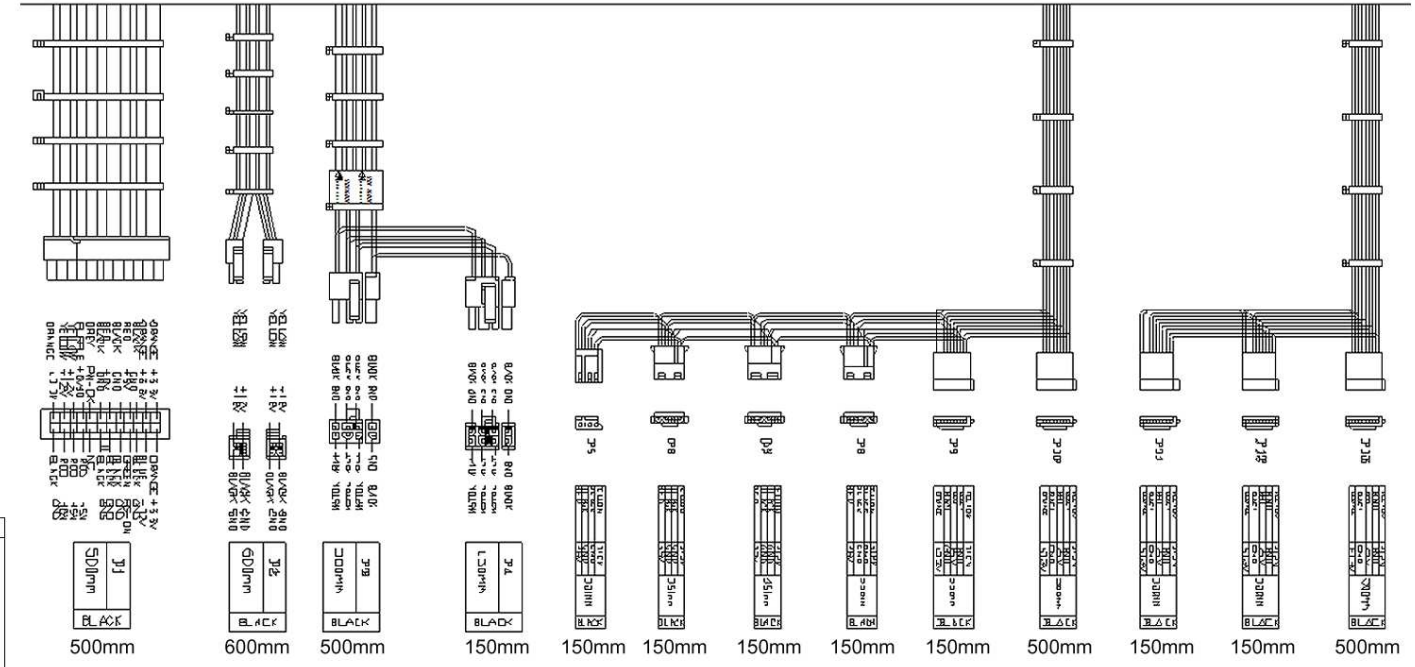


6		7	
版次 REV.	修訂 記號	REVISIONS DESCRIPTION	日期 DATE



ATX1235 PS2 350W power supply with PFC & 82Plus
 ATX1240 PS2 400W power supply with PFC & 82Plus
 ATX1245 PS2 450W power supply with PFC & 82Plus

容許公差: TOLERANCES:	.XXX ±.025 .XX ±.100 .X ±.250
投影法: PROJECTION:	第三角法

材料規格: MATERIAL:	核准者: APPROVE BY: Robert Roan	日期: DATE: Sept. 11, 2015
	審核者: CHECK BY: Yuri Zalesskiy	日期: DATE: Sept. 11, 2015
	繪圖者: DRAW BY: Kevin Yeh	日期: DATE: Sept. 11, 2015

		中國工控有限公司(香港) www.chinaipc.cc	
品名: PS2 300W/350W/450W power supply with PFC & 82Plus NAME:			
料號: PART NO: ATX1245FA1-22YGD		檔號: FILE NO:	
圖號: DRAW NO:		規格: SPEC:	
單位: mm UNITS:		版次: 0.0 REV. NO:	
編號: SHEET:		編號: SHEET:	