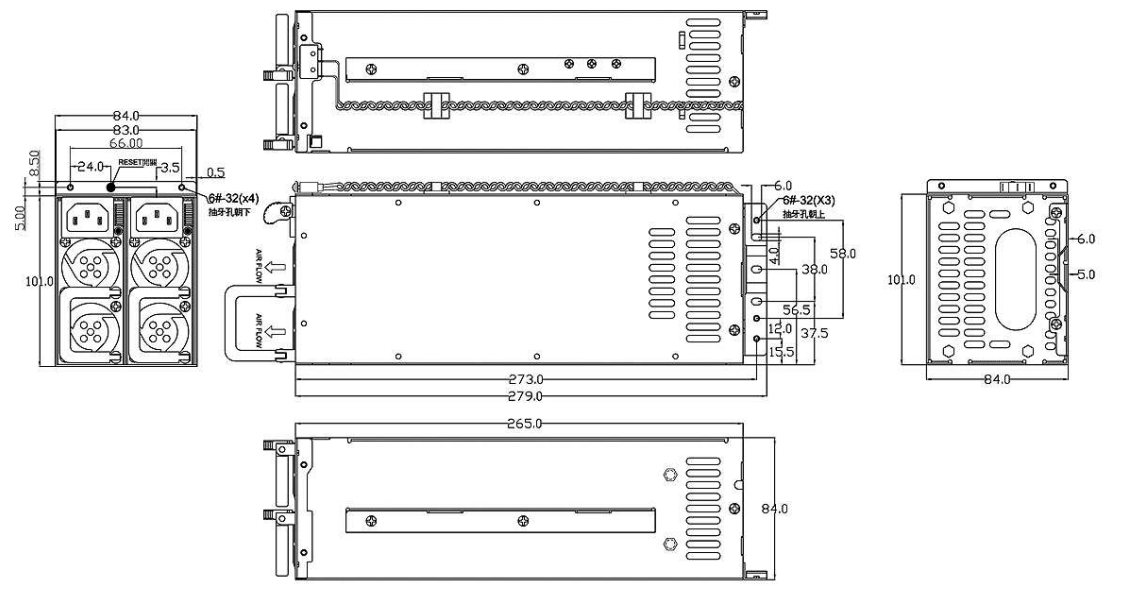


**X2**



- 460W: R2A-460D1V2-G2380A-G2650
- 500W: R2A-500D1V2-G2380A-G2650
- 550W: R2A-550D1V2-G2380A-G2650
- 600W: R2A-600D1V2-G2380A-G2650
- 650W: R2A-650D1V2-G2380A-G2650
- 700W: R2A-700D1V2-G2380A-G2650

|                      |                                     |
|----------------------|-------------------------------------|
| 容許公差:<br>TOLERANCES: | .XXX ±.025<br>.XX ±.100<br>.X ±.250 |
| 投影法:<br>PROJECTION:  | 第三角法                                |

|                  |   |                   |
|------------------|---|-------------------|
| 材料規格: MATERIAL:  | Wiring harness and bracket specially for www.chinaipc.cc only |                   |
| 核准者: APPROVE BY: | Robert Roan   | 日期: July 26, 2017 |
| 審核者: CHECK BY:   | Veness  | 日期: June 08, 2017 |
| 繪圖者: DRAW BY:    | Jack Wu   | 日期: June 08, 2017 |

|                          |                          |                                 |         |
|--------------------------|--------------------------|---------------------------------|---------|
| 中國工控<br><b>JPC CHINA</b> |                          | 中國工控有限公司(香港)<br>www.chinaipc.cc |         |
| 品名: NAME:                | R2A-700D1V2              |                                 |         |
| 料號: PART NO.:            | R2A-700D1V2-G2380A-G2650 |                                 |         |
| 圖號: DRAW NO.:            | 檔號: FILE NO.:            | 單位: mm                          | 版次: 2.0 |
| 規格: SPEC.:               | 編號: SHEET:               | REV. NO.:                       |         |