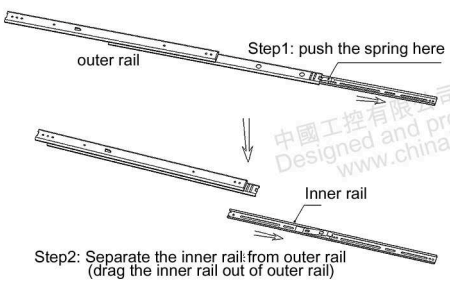
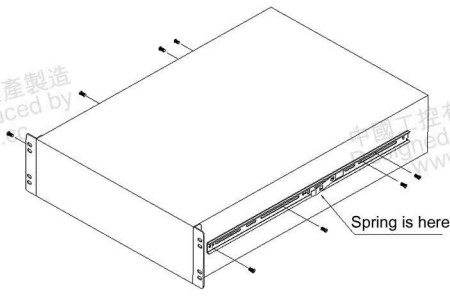


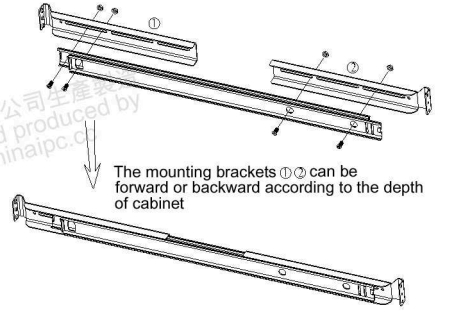
**Stage1: Separate the inner rail from outer rail**



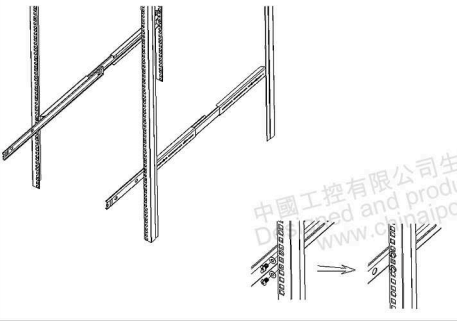
**Stage2: Install the inner rail with two sides of chassis first**



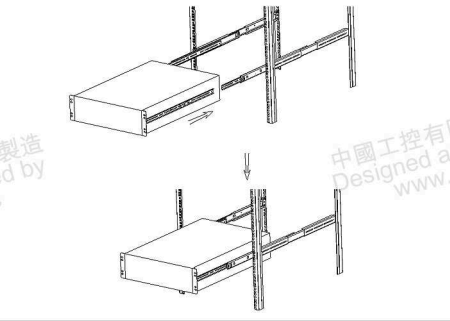
**Stage3: Outer rail assembly**



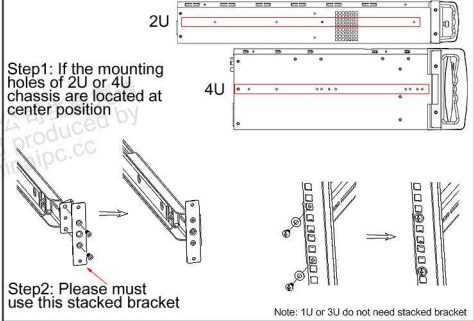
**Stage4: Outer rail installed with cabinet in advance**



**Stage5: Push in the chassis (inner rail installed) to the cabinet**



**Stage6: Stacked brackets (standard part) for some 2U/4U cases**



**Military-Class Slide Rail for 1U 2U 3U 4U chassis**  
**Durable for 65 KGM (143 pounds/lbs)**

容許公差: TOLERANCES:	材料規格: MATERIAL:	核准者: APPROVE BY:	日期: DATE:
.XXX ±.025		Robert Roan	April 24, 2012
.XX ±.100			
.X ±.250		審核者: CHECK BY:	日期: DATE:
		Jun Chen	April 13, 2012
投影法: PROJECTION:	繪圖者: DRAW BY:	日期: DATE:	規格: SPEC:
第三角法	Randy Lee	April 12, 2012	0.0

		中國工控有限公司(香港) www.chinaipc.com	
品名: NAME:	Military-Class Slide Rail Installation Guidance		
料號: PART NO:	NJ-600		
圖號: DRAW NO:	櫃號: FILE NO:	單位: UNITS:	編號: SHEET:
		mm	
版本: REV. NO:	規格: SPEC:	0.0	